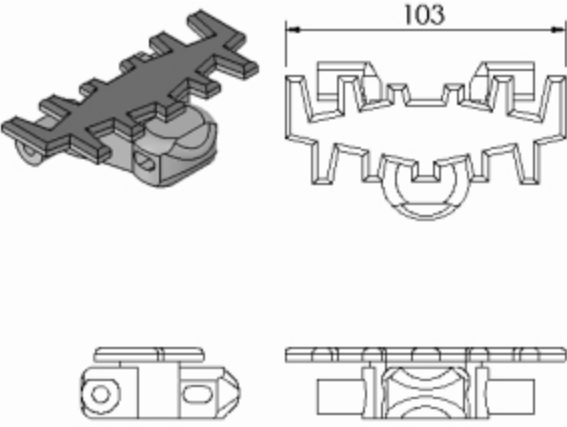
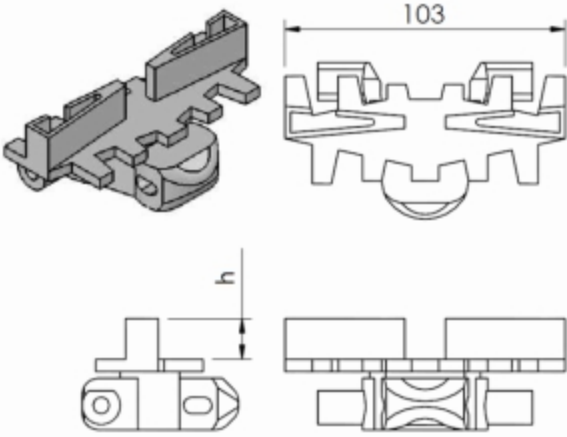
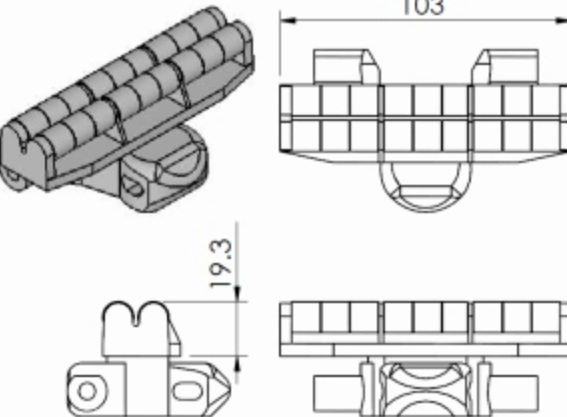
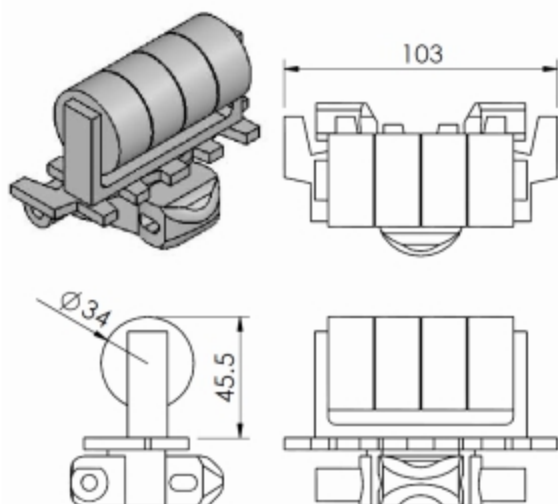


	<table border="1"> <thead> <tr> <th>Chain</th> <th>Link</th> </tr> </thead> </table>	Chain	Link
Chain	Link		
<p>FHTP 5 Plain chain Length 5mt</p>	<p>FHTL 103</p>		
	<table border="1"> <thead> <tr> <th>Chain</th> <th>Link</th> </tr> </thead> </table>	Chain	Link
Chain	Link		
<p>FHTP 5 FA Friction top chain Length 5mt</p>	<p>FHTL 103 FA</p>		
	<table border="1"> <thead> <tr> <th>Chain</th> <th>Link</th> </tr> </thead> </table>	Chain	Link
Chain	Link		
<p>FHTP 5 TF Steel top chain Length 5mt</p>	<p>FHTL 103 TF</p>		

FH

	<table border="1"> <thead> <tr> <th>Chain</th> <th>Link</th> </tr> </thead> <tbody> <tr> <td>Flocked chain</td> <td></td> </tr> <tr> <td>Flocked top chain</td> <td></td> </tr> <tr> <td>Length 5mt</td> <td></td> </tr> </tbody> </table>	Chain	Link	Flocked chain		Flocked top chain		Length 5mt									
Chain	Link																
Flocked chain																	
Flocked top chain																	
Length 5mt																	
	<table border="1"> <thead> <tr> <th>Chain</th> <th>Link</th> </tr> </thead> <tbody> <tr> <td>FHTF 5X_A</td> <td>FHTL 103X_A</td> </tr> <tr> <td>FHTF 5X15 A h=15 mm</td> <td></td> </tr> <tr> <td>FHTF 5X20 A h=20 mm</td> <td></td> </tr> <tr> <td>FHTF 5X30 A h=30 mm</td> <td></td> </tr> <tr> <td>FHTF 5X40 A h=40 mm</td> <td></td> </tr> <tr> <td>Cleated chain</td> <td></td> </tr> <tr> <td>Length 5mt</td> <td></td> </tr> </tbody> </table>	Chain	Link	FHTF 5X_A	FHTL 103X_A	FHTF 5X15 A h=15 mm		FHTF 5X20 A h=20 mm		FHTF 5X30 A h=30 mm		FHTF 5X40 A h=40 mm		Cleated chain		Length 5mt	
Chain	Link																
FHTF 5X_A	FHTL 103X_A																
FHTF 5X15 A h=15 mm																	
FHTF 5X20 A h=20 mm																	
FHTF 5X30 A h=30 mm																	
FHTF 5X40 A h=40 mm																	
Cleated chain																	
Length 5mt																	
	<table border="1"> <thead> <tr> <th>Chain</th> <th>Link</th> </tr> </thead> <tbody> <tr> <td>FHTR 5</td> <td>FHTL 103 R</td> </tr> <tr> <td>Roller cleat chain</td> <td></td> </tr> <tr> <td>Length 5mt</td> <td></td> </tr> </tbody> </table>	Chain	Link	FHTR 5	FHTL 103 R	Roller cleat chain		Length 5mt									
Chain	Link																
FHTR 5	FHTL 103 R																
Roller cleat chain																	
Length 5mt																	

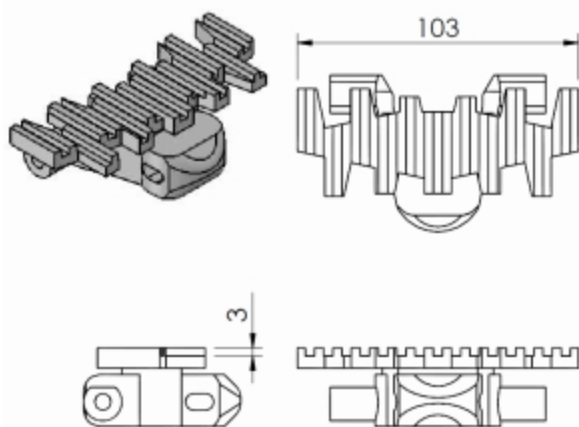


Chain	Link
-------	------

FHTF 5X46 R FHTL 103X46 R

Roller cleat chain

Length 5mt

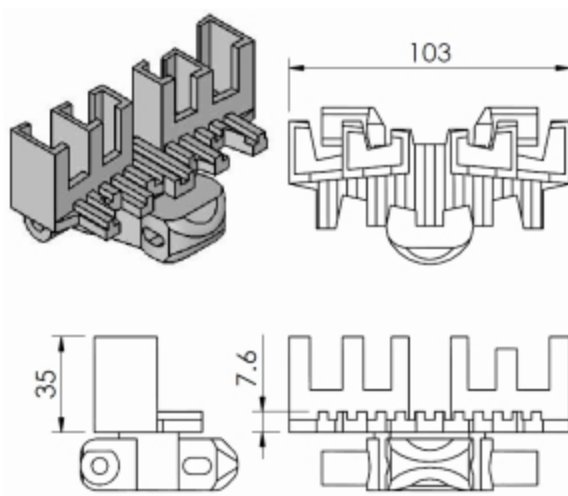


Chain	Link
-------	------

F3924104 F3904673

Plain cleated with
elevated

Length 5mt



Chain	Link
-------	------

F3924105 F3904674

Cleated chaon

Length 5mt

FH

		Chain	Link
		FHTP 5 F	FHTL 103 F
		Friction top chain	
		Length 5mt	

		Chain	Link
		103 V-Block	
		Cleated top chain	
		V-Block	
		Length 5mt	